

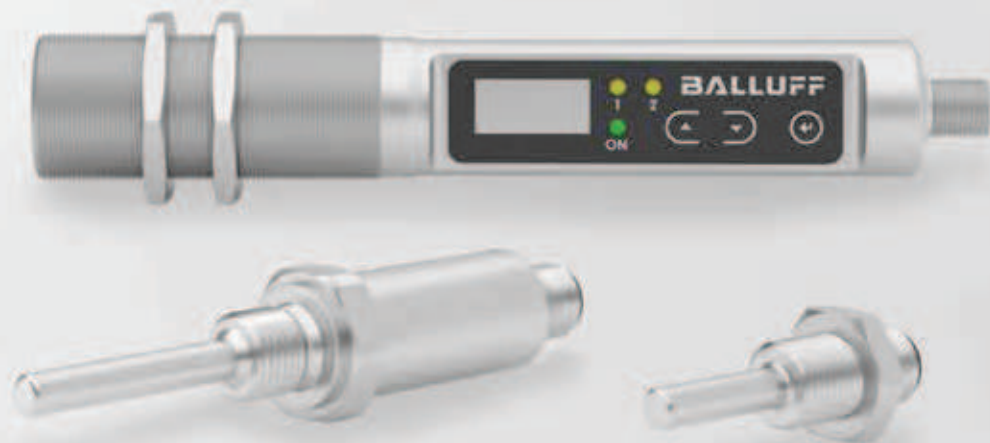
Reliably detect and measure hot objects

TEMPERATURE SENSORS

With temperature sensors, you can measure and monitor temperatures by contact or contactlessly in a wide range of applications.

The most important benefits

- Rugged M30 stainless steel housing with IP67 protection
- Temperature range 250...1250 °C
- Numerous functions and settings using the IO-Link interface



Accessories

Connectivity

Power Supply

Software and System Solutions

Industrial Networking

Safety

Human Machine Interfaces

Machine Vision and Optical Identification

RFID

Sensors



	BFT0015 BFT 6025-HV003-A00A0C-S4	BFT0012 BFT 6025-HV003-A02A0C-S4	BFT001H BFT 6025-HV003-D00A0C-S4	
Measuring range	-20...80 °C	-20...80 °C	-20...80 °C	
Measuring element	Pt1000	Pt1000	Pt1000	
Operating voltage U _b	15...35 VDC	15...35 VDC	15...35 VDC	
Analog output	Analog, voltage 0...10 V	Analog, current 4...20 mA	—	
Switching output	PNP	PNP	2x PNP	
Connection	Connector, M12x1-Male, 4-pin	Connector, M12x1-Male, 4-pin	Connector, M12x1-Male, 4-pin	
Installation length from contact surface	25 mm	25 mm	25 mm	
Process connection	G 1/2" outer	G 1/2" outer	G 1/2" outer	
Process connection material	Stainless steel (1.4571)	Stainless steel (1.4571)	Stainless steel (1.4571)	
Gasket, material	Fluoroelastomer	Fluoroelastomer	Fluoroelastomer	
Housing material	PC/ABS TPE-E, PC, Stainless steel (1.4301)	PC/ABS TPE-E, PC, Stainless steel (1.4301)	PC/ABS TPE-E, PC, Stainless steel (1.4301)	
Pressure rating max.	150 bar	150 bar	150 bar	
Ambient temperature	-20...80 °C	-20...80 °C	-20...80 °C	
IP rating	IP65, IP67	IP65, IP67	IP65, IP67	
Approval/Conformity	CE, cULus, WEEE, EAC	CE, cULus, WEEE, EAC	CE, cULus, WEEE, EAC	
Productview	Page 400	Page 400	Page 400	



	BFT001C BFT 6025-JC003-A00A0C-S4	BFT0018 BFT 6025-JC003-A02A0C-S4	BFT001L BFT 6025-JC003-D00A0C-S4	BFT0016 BFT 6050-HV003-A00A0C-S4	BFT0013 BFT 6050-HV003-A02A0C-S4
	-20...80 °C	-20...80 °C	-20...80 °C	-20...80 °C	-20...80 °C
	Pt1000	Pt1000	Pt1000	Pt1000	Pt1000
	15...35 VDC	15...35 VDC	15...35 VDC	15...35 VDC	15...35 VDC
	Analog, voltage 0...10 V	Analog, current 4...20 mA	—	Analog, voltage 0...10 V	Analog, current 4...20 mA
	PNP	PNP	2x PNP	PNP	PNP
	Connector, M12x1-Male, 4-pin	Connector, M12x1-Male, 4-pin	Connector, M12x1-Male, 4-pin	Connector, M12x1-Male, 4-pin	Connector, M12x1-Male, 4-pin
	25 mm	25 mm	25 mm	50 mm	50 mm
	NPT 1/2" outer	NPT 1/2" outer	NPT 1/2" outer	G 1/2" outer	G 1/2" outer
	Stainless steel (1.4571)	Stainless steel (1.4571)	Stainless steel (1.4571)	Stainless steel (1.4571)	Stainless steel (1.4571)
	—	—	—	Fluoroelastomer	Fluoroelastomer
	PC/ABS TPE-E, PC, Stainless steel (1.4301)	PC/ABS TPE-E, PC, Stainless steel (1.4301)	PC/ABS TPE-E, PC, Stainless steel (1.4301)	PC/ABS TPE-E, PC, Stainless steel (1.4301)	PC/ABS TPE-E, PC, Stainless steel (1.4301)
	150 bar	150 bar	150 bar	150 bar	150 bar
	-20...80 °C	-20...80 °C	-20...80 °C	-20...80 °C	-20...80 °C
	IP65, IP67	IP65, IP67	IP65, IP67	IP65, IP67	IP65, IP67
	CE, cULus, WEEE, EAC	CE, cULus, WEEE, EAC	CE, cULus, WEEE, EAC	CE, cULus, WEEE, EAC	CE, cULus, WEEE, EAC
	Page 400	Page 400	Page 400	Page 400	Page 400



	BFT001J BFT 6050-HV003-D00A0C-S4	BFT001E BFT 6050-JC003-A00A0C-S4	BFT0019 BFT 6050-JC003-A02A0C-S4	
Measuring range	-20...80 °C	-20...80 °C	-20...80 °C	
Measuring element	Pt1000	Pt1000	Pt1000	
Operating voltage U _b	15...35 VDC	15...35 VDC	15...35 VDC	
Analog output	—	Analog, voltage 0...10 V	Analog, current 4...20 mA	
Switching output	2x PNP	PNP	PNP	
Connection	Connector, M12x1-Male, 4-pin	Connector, M12x1-Male, 4-pin	Connector, M12x1-Male, 4-pin	
Installation length from contact surface	50 mm	50 mm	50 mm	
Process connection	G 1/2" outer	NPT 1/2" outer	NPT 1/2" outer	
Process connection material	Stainless steel (1.4571)	Stainless steel (1.4571)	Stainless steel (1.4571)	
Gasket, material	Fluoroelastomer	—	—	
Housing material	PC/ABS TPE-E, PC, Stainless steel (1.4301)	PC/ABS TPE-E, PC, Stainless steel (1.4301)	PC/ABS TPE-E, PC, Stainless steel (1.4301)	
Pressure rating max.	150 bar	150 bar	150 bar	
Ambient temperature	-20...80 °C	-20...80 °C	-20...80 °C	
IP rating	IP65, IP67	IP65, IP67	IP65, IP67	
Approval/Conformity	CE, cULus, WEEE, EAC	CE, cULus, WEEE, EAC	CE, cULus, WEEE, EAC	
Productview	Page 400	Page 400	Page 400	



	BFT001M BFT 6050-JC003-D00A0C-S4	BFT0017 BFT 6100-HV003-A00A0C-S4	BFT0014 BFT 6100-HV003-A02A0C-S4	BFT001K BFT 6100-HV003-D00A0C-S4	BFT001F BFT 6100-JC003-A00A0C-S4
	-20...80 °C	-20...80 °C	-20...80 °C	-20...80 °C	-20...80 °C
	Pt1000	Pt1000	Pt1000	Pt1000	Pt1000
	15...35 VDC	15...35 VDC	15...35 VDC	15...35 VDC	15...35 VDC
	—	Analog, voltage 0...10 V	Analog, current 4...20 mA	—	Analog, voltage 0...10 V
	2x PNP	PNP	PNP	2x PNP	PNP
	Connector, M12x1-Male, 4-pin	Connector, M12x1-Male, 4-pin	Connector, M12x1-Male, 4-pin	Connector, M12x1-Male, 4-pin	Connector, M12x1-Male, 4-pin
	50 mm	100 mm	100 mm	100 mm	100 mm
	NPT 1/2" outer	G 1/2" outer	G 1/2" outer	G 1/2" outer	NPT 1/2" outer
	Stainless steel (1.4571)	Stainless steel (1.4571)	Stainless steel (1.4571)	Stainless steel (1.4571)	Stainless steel (1.4571)
	—	Fluoroelastomer	Fluoroelastomer	Fluoroelastomer	—
	PC/ABS TPE-E, PC, Stainless steel (1.4301)	PC/ABS TPE-E, PC, Stainless steel (1.4301)	PC/ABS TPE-E, PC, Stainless steel (1.4301)	PC/ABS TPE-E, PC, Stainless steel (1.4301)	PC/ABS TPE-E, PC, Stainless steel (1.4301)
	150 bar	150 bar	150 bar	150 bar	150 bar
	-20...80 °C	-20...80 °C	-20...80 °C	-20...80 °C	-20...80 °C
	IP65, IP67	IP65, IP67	IP65, IP67	IP65, IP67	IP65, IP67
	CE, cULus, WEEE, EAC	CE, cULus, WEEE, EAC	CE, cULus, WEEE, EAC	CE, cULus, WEEE, EAC	CE, cULus, WEEE, EAC
	Page 400	Page 400	Page 400	Page 400	Page 400



	BFT001A BFT 6100-JC003-A02A0C-S4	BFT001N BFT 6100-JC003-D00A0C-S4	BFT0001 BFT 6025-DX001-R02A0A-S4	
Measuring range	-20...80 °C	-20...80 °C	-50...150 °C	
Measuring element	Pt1000	Pt1000	Pt1000	
Operating voltage U _b	15...35 VDC	15...35 VDC	—	
Analog output	Analog, current 4...20 mA	—	Analog, resistance	
Switching output	PNP	2x PNP	—	
Connection	Connector, M12x1-Male, 4-pin	Connector, M12x1-Male, 4-pin	Connector, M12x1-Male, 4-pin	
Installation length from contact surface	100 mm	100 mm	25 mm	
Process connection	NPT 1/2" outer	NPT 1/2" outer	G 1/4" outer	
Process connection material	Stainless steel (1.4571)	Stainless steel (1.4571)	Stainless steel (1.4305)	
Gasket, material	—	—	—	
Housing material	PC/ABS TPE-E, PC, Stainless steel (1.4301)	PC/ABS PE-E, PC, Stainless steel (1.4301)	—	
Pressure rating max.	150 bar	150 bar	50 bar	
Ambient temperature	-20...80 °C	-20...80 °C	-40...100 °C	
IP rating	IP65, IP67	IP65, IP67	IP66, IP67	
Approval/Conformity	CE, cULus, WEEE, EAC	CE, cULus, WEEE, EAC	CE, WEEE, EAC	
Productview	Page 400	Page 400	Page 401	



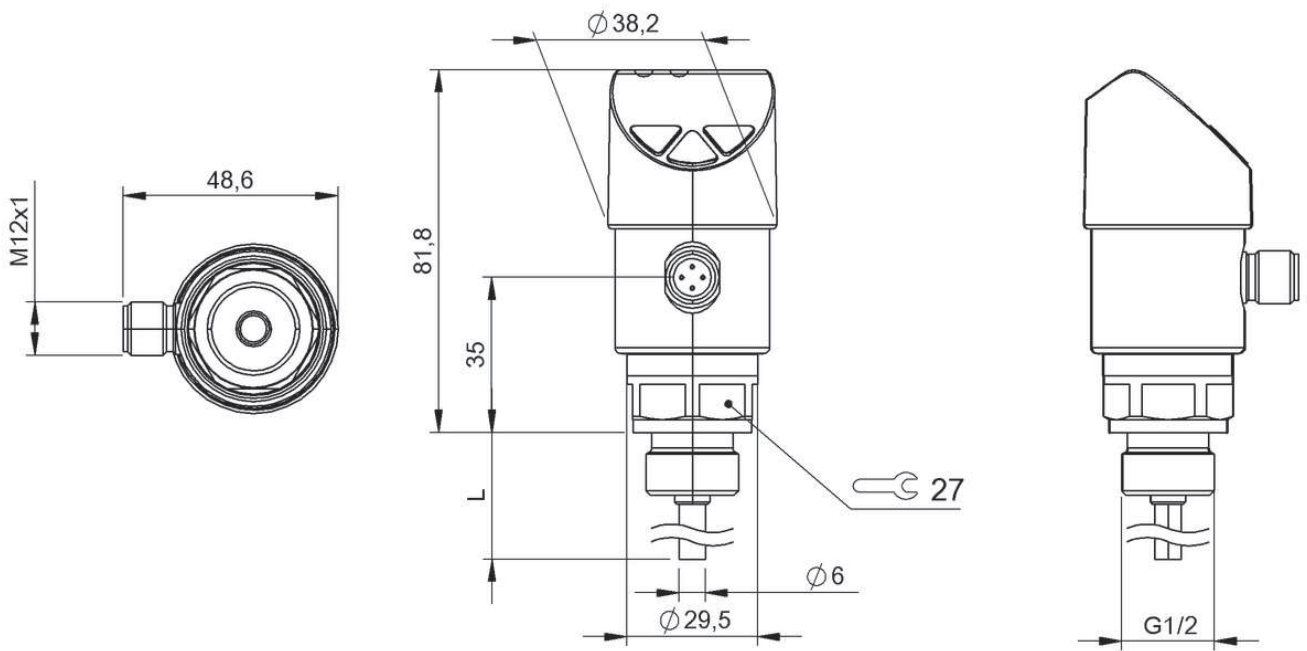
BFT0003 BFT 6025-FC001-R02A0A-S4	BFT001P BFT 6025-HX001-R02A0A-S4	BFT0002 BFT 6050-DX001-R02A0A-S4	BFT0004 BFT 6050-FC001-R02A0A-S4	BFT001R BFT 6050-HV001-R02A0A-S4
-50...150 °C	-50...150 °C	-50...150 °C	-50...150 °C	-50...150 °C
Pt1000	Pt1000	Pt1000	Pt1000	Pt1000
—	—	—	—	—
Analog, resistance	Analog, resistance	Analog, resistance	Analog, resistance	Analog, resistance
—	—	—	—	—
Connector, M12x1-Male, 4-pin	Connector, M12x1-Male, 4-pin	Connector, M12x1-Male, 4-pin	Connector, M12x1-Male, 4-pin	Connector, M12x1-Male, 4-pin
25 mm	25 mm	50 mm	50 mm	50 mm
NPT 1/4" outer	G 1/2" outer	G 1/4" outer	NPT 1/4" outer	—
Stainless steel (1.4305)	Stainless steel (1.4305)	Stainless steel (1.4305)	Stainless steel (1.4305)	Stainless steel (1.4305)
—	—	—	—	—
—	—	—	—	—
50 bar	50 bar	50 bar	50 bar	50 bar
-40...100 °C	-40...100 °C	-40...100 °C	-40...100 °C	-40...100 °C
IP66, IP67	IP66, IP67	IP66, IP67	IP66, IP67	IP66, IP67
CE, WEEE, EAC	CE, WEEE, EAC	CE, WEEE, EAC	CE, WEEE, EAC	CE, WEEE, EAC
Page 401	Page 401	Page 401	Page 401	Page 402



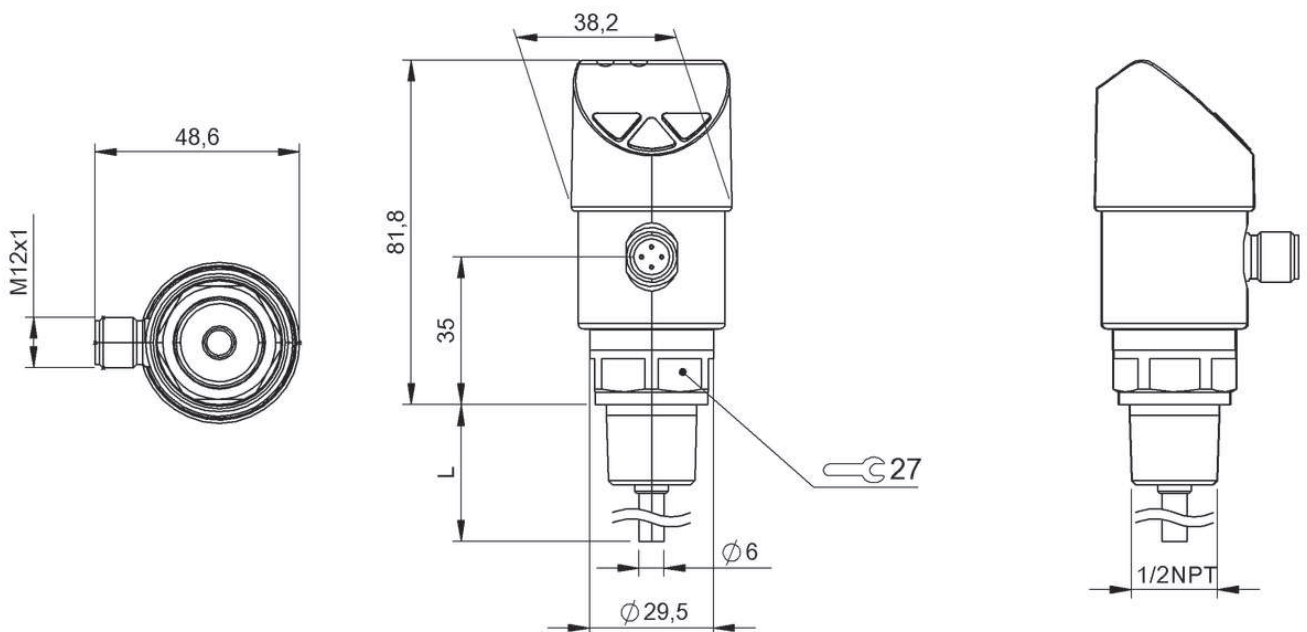
	BFT0005 BFT 6025-DX002-A06A1A-S4	BFT0008 BFT 6025-FC002-A06A1A-S4	BFT0006 BFT 6050-DX002-A06A1A-S4	
Measuring range	-30...150 °C	-30...150 °C	-30...150 °C	
Measuring element	Pt1000	Pt1000	Pt1000	
Operating voltage U _b	10...30 VDC	10...30 VDC	10...30 VDC	
Analog output	Analog, current 4...20 mA	Analog, current 4...20 mA	Analog, current 4...20 mA	
Switching output	—	—	—	
Connection	Connector, M12x1-Male, 4-pin	Connector, M12x1-Male, 4-pin	Connector, M12x1-Male, 4-pin	
Installation length from contact surface	25 mm	25 mm	50 mm	
Process connection	G 1/4" outer	NPT 1/4" outer	G 1/4" outer	
Process connection material	Stainless steel (1.4571)	Stainless steel (1.4571)	Stainless steel (1.4571)	
Gasket, material	—	—	—	
Housing material	Stainless steel (1.4571)	Stainless steel (1.4571)	Stainless steel (1.4571)	
Pressure rating max.	270 bar	270 bar	270 bar	
Ambient temperature	-40...85 °C	-40...85 °C	-40...85 °C	
IP rating	IP67, IP69, IP69K	IP67, IP69, IP69K	IP67, IP69, IP69K	
Approval/Conformity	CE, cULus, WEEE, EAC	CE, cULus, WEEE, EAC	CE, cULus, WEEE, EAC	
Productview	Page 403	Page 403	Page 403	



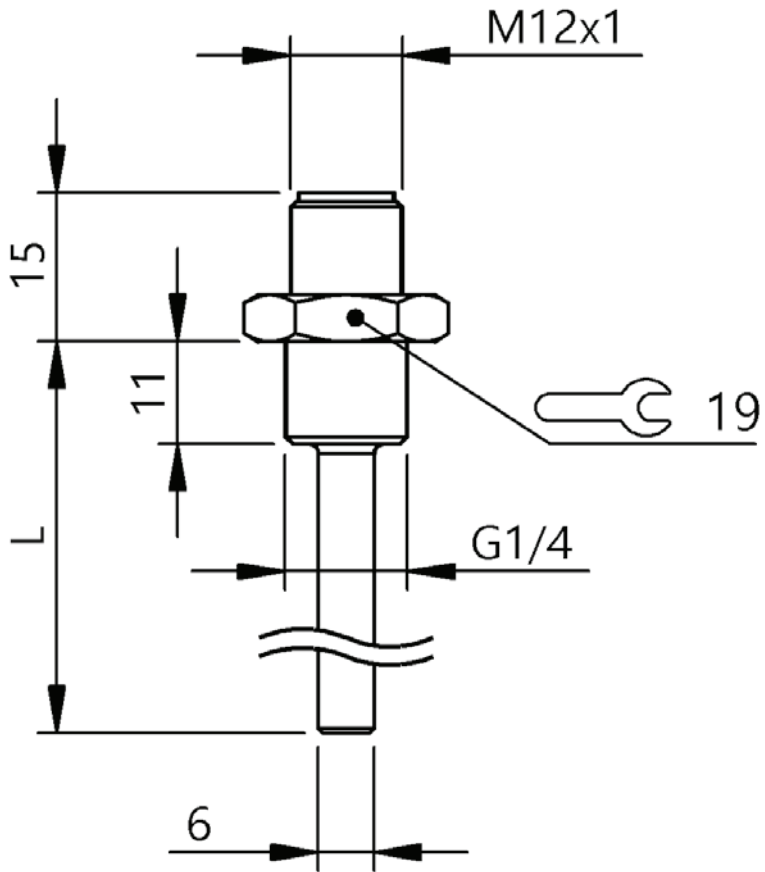
BFT0009 BFT 6050-FC002-A06A1A-S4	BFT0007 BFT 6100-DX002-A06A1A-S4	BFT000A BFT 6100-FC002-A06A1A-S4		
-30...150 °C	-30...150 °C	-30...150 °C		
Pt1000	Pt1000	Pt1000		
10...30 VDC	10...30 VDC	10...30 VDC		
Analog, current 4...20 mA	Analog, current 4...20 mA	Analog, current 4...20 mA		
—	—	—		
Connector, M12x1-Male, 4-pin	Connector, M12x1-Male, 4-pin	Connector, M12x1-Male, 4-pin		
50 mm	100 mm	100 mm		
NPT 1/4" outer	G 1/4" outer	NPT 1/4" outer		
Stainless steel (1.4571)	Stainless steel (1.4571)	Stainless steel (1.4571)		
—	—	—		
Stainless steel (1.4571)	Stainless steel (1.4571)	Stainless steel (1.4571)		
270 bar	270 bar	270 bar		
-40...85 °C	-40...85 °C	-40...85 °C		
IP67, IP69, IP69K	IP67, IP69, IP69K	IP67, IP69, IP69K		
CE, cULus, WEEE, EAC	CE, cULus, WEEE, EAC	CE, cULus, WEEE, EAC		
Page 403	Page 403	Page 403		



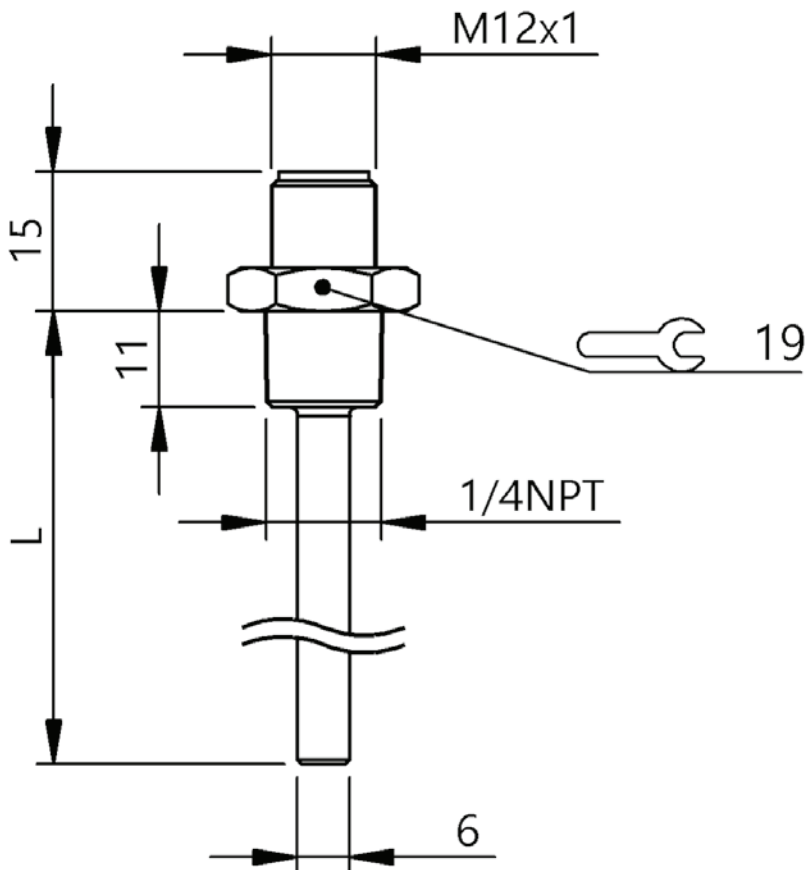
BFT0015, BFT0012, BFT001H, BFT0016, BFT0013, BFT001J, BFT0017, BFT0014, BFT001K



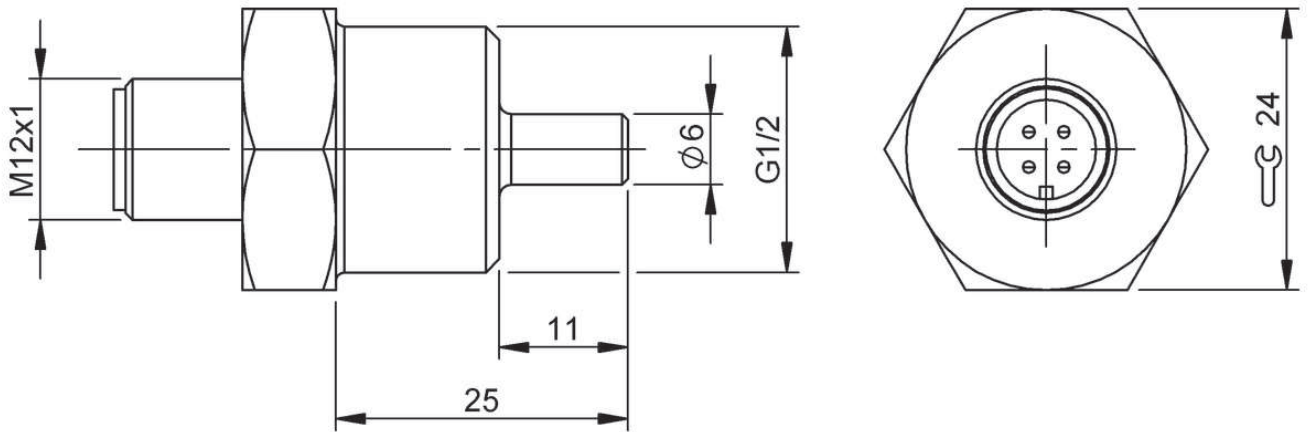
BFT001C, BFT0018, BFT001L, BFT001E, BFT0019, BFT001M, BFT001F, BFT001A, BFT001N



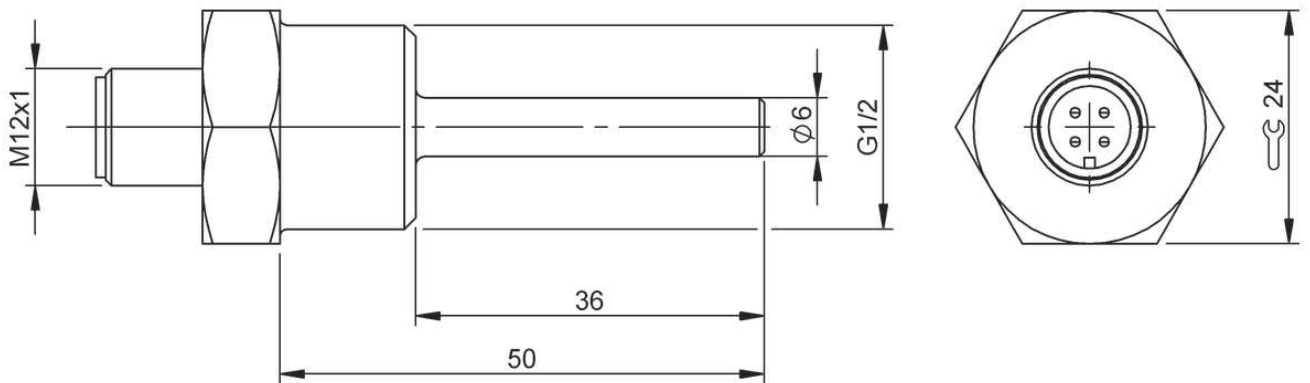
BFT0001, BFT0002



BFT0003, BFT0004



BFT001P



BFT001R